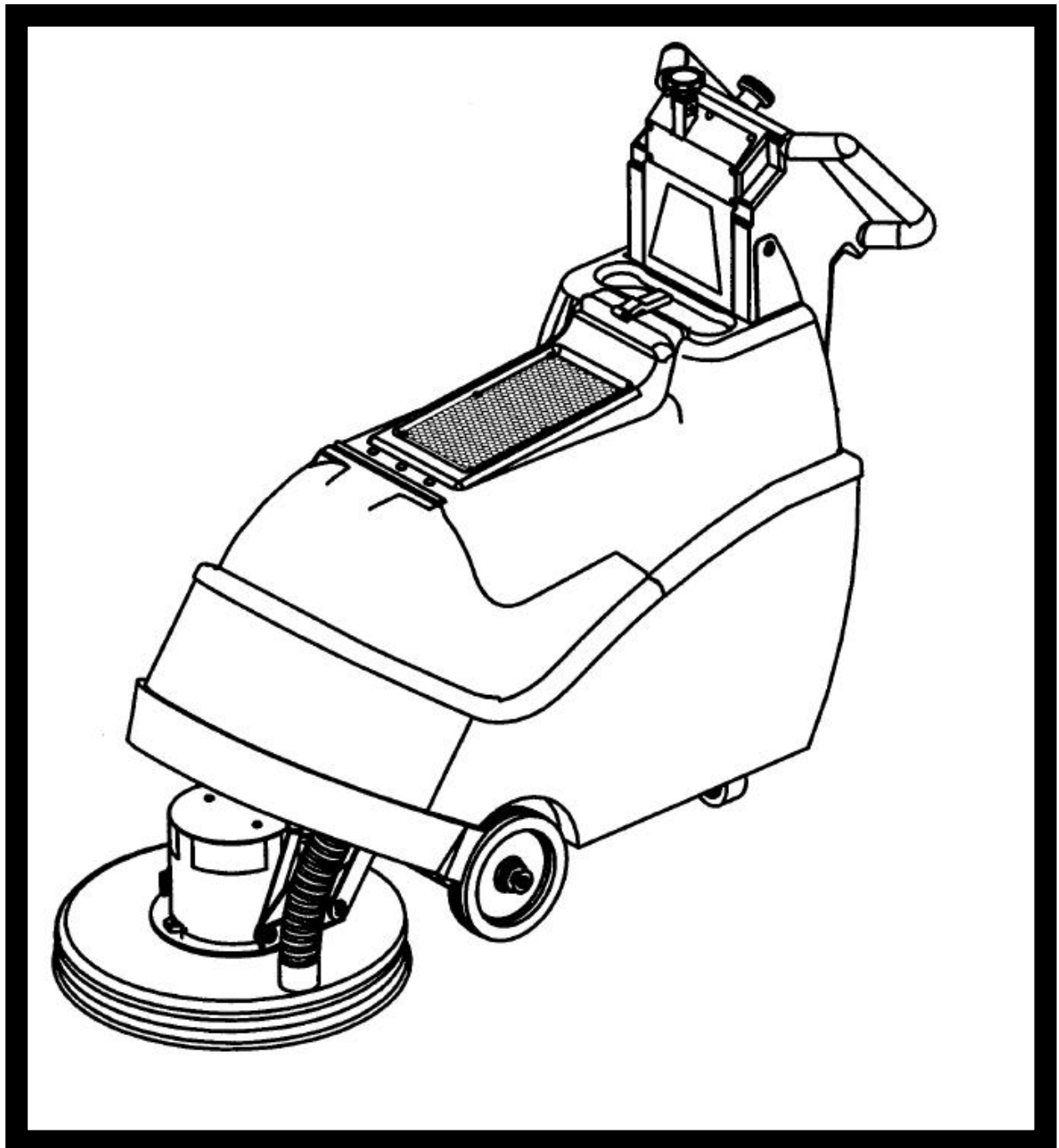


Lumina 20 Traction Drive
Battery Burnisher

Model:
M26036TD

OPERATION ■ SERVICE ■ PARTS ■ CARE



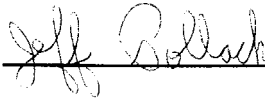
Minuteman[®]

EC Declaration of Conformity

according to Directives 72/23, 89/392, and 89/336

We, Minuteman International Incorporated, of 111 South Rohlwing Road Addison Illinois 60101 USA, declare under our sole responsibility that the product M26036TDCE, M26036TDQPIW, M26036CE, Lumina Burnisher to which this declaration relates corresponds to the relevant requirements of the EC Directives 72/23, 89/392 and 89/336. The following standards were used to determine compliance with the Directives: EN 292, EN 294, EN 811, EN 55014, EN 55104 and EN 60335-1.

SOUND		VIBRATION									
73 dB Operator	69dB At 3m	.5 m/s² At Operators Handle									
<p>Tests were conducted on 11/3/04 with calibrated sound and vibration equipment under the conditions noted below:</p> <table style="width: 100%; border: none;"> <tr> <td style="width: 33%;">General Condition: Indoors</td> <td style="width: 33%;">Wind: 0 km/hr</td> <td style="width: 33%;"></td> </tr> <tr> <td>Temperature: 25^oC</td> <td>Humidity: 70%</td> <td></td> </tr> <tr> <td>Barometric Pressure: 29.5</td> <td></td> <td></td> </tr> </table>			General Condition: Indoors	Wind: 0 km/hr		Temperature: 25 ^o C	Humidity: 70%		Barometric Pressure: 29.5		
General Condition: Indoors	Wind: 0 km/hr										
Temperature: 25 ^o C	Humidity: 70%										
Barometric Pressure: 29.5											

 _____

Jeff Pollack, Standards Engineer

11/03/04 _____

Date

Form: EC053C

Table of Contents

IMPORTANT SAFETY INSTRUCTIONS	4
OPERATING INSTRUCTIONS	5
INSPECTION	5
ELECTRICAL	5
BATTERIES	5
OPERATION	5
AFTER USE	6
MAINTENANCE	6
FLOOR SEAL STRIP	6
BATTERY SERVICE AND INSTALLATION	6
CHARGING OF BATTERIES	6
PAD INSTALLATION.....	7
PAD PRESSURE ADJUSTMENTS.....	7
CIRCUIT BREAKER PROTECTION	8
CARBON BRUSH REPLACEMENT	8
CARBON BRUSH SERVICE	8
MACHINE OVERVIEW	9
DASHBOARD CONTROL PANEL	10
EXPLODED VIEWS	11
BASE ASSEMBLY.....	11
BASE ASSEMBLY BOM	12
MAINFRAME ASSEMBLY.....	13
MAINFRAME ASSEMBLY BOM.....	14
HOUSING ASSEMBLY	15
HOUSING ASSEMBLY BOM	16
PAD DRIVER ASSEMBLY	17
PAD DRIVER ASSEMBLY BOM	18
PRESSURE CONTROL ASSEMBLY	19
ELECTIRCAL ASSEMBLY	20
CONSOLE ASSEMBLY.....	21
CONSOLE ASSEMBLY BOM	22
SCHEMATIC DIAGRAMS.....	24
LIMITED WARRANTY	26

IMPORTANT SAFETY INSTRUCTIONS

CAUTION: Operators must read and understand this manual before operating or maintaining this machine.

Keep hands and feet clear of moving parts while machine is in operation.

Disconnect the power to the machine by pressing the Red Emergency Disconnect Button when charging batteries or during installation or removal of pads.

During operation, loose objects on the floor can become dangerous projectiles if struck by the high speed pad. Special attention should be paid in removing or avoiding loose floor tile, electrical cables, telephone connection boxes.

Electrical motors and components can cause an explosion when operated near explosive materials Or vapors. Do not operate this machine near flammable materials such as solvents, thinners, fuels, grain dust, etc.

Keep machine moving to reduce the risk of damaging floor finish and floor.

Make sure the Red Emergency Disconnect Button is pressed and the battery connector is unplugged from the machine before performing any maintenance procedures.

Store or park this machine on a level surface only.

These machines are designed for level floor operation only. Do not operate on ramps or inclines.

Battery acid can cause burns. When working on or around batteries, wear protective clothing and safety glasses. Remove metal jewelry. Do not lay tools or metal objects on top of batteries.

Charging batteries generates explosive gases. **DO NOT CHARGE BATTERIES WHEN OPEN FLAMES OR SPARKS ARE PRESENT. DO NOT SMOKE.** Make sure the charger is turned off before disconnecting it from the machine. Charge the batteries in a well-ventilated area with the battery cover removed completely.

Maintenance and repairs must be performed by authorized personnel.

SAVE THESE INSTRUCTIONS

OPERATING INSTRUCTIONS

INSPECTION

Carefully unpack and inspect your burnisher for shipping damage. Each unit is tested and thoroughly inspected before shipment; any damage is the responsibility of the delivery carrier who should be notified immediately.

ELECTRICAL

This machine is battery operated and designed to operate on 36 volts DC (3) 12 volt batteries.

BATTERIES

Burnishers are shipped with batteries. (3 required)

Part No. 956210 12V 210AH 20 Hr. Rate

We do not recommend mixing AMP hour capacities. Any alternate battery sets can be used if they equal physical size and capacity. See next page for service and installation.

OPERATION

Before starting, familiarize yourself with the machine and its controls (see "Machine Overview" and "Dashboard Control Panel" diagrams). To turn the machine ON, do the following:

1. Make sure 20" high speed pad is used. Make sure the pad is installed on the machine by following instructions under "Pad Installation."
2. Make sure that no battery charger is plugged into the recharge port.
3. Lift the red emergency disconnect button so it is in the up position.
4. Lower the pad driver assembly by pushing the pedal slightly outward on the machine (unlock it), and then release it slowly.
5. Turn the key switch to the ON position. The pad driver will then slowly adjust itself to the floor. Make sure the machine is set to move forward indicated by the light on the dashboard control panel.
6. Place hands on the bails and squeeze the bail levers to start the operation of the machine. Move forward in a straight line, check the reading on the Operating Range Meter and make sure you are in the Green Zone.
7. Adjust the pad pressure as needed by turning the knob accordingly. (See Pad Pressure Adjustments.)
8. Adjust speed as needed by turning the speed control knob accordingly.

AFTER USE

To raise the pad driver, push down until the pedal arm engages into the pedal catch. Turn machine off by turning the key switch on the control panel. Machine can be cleaned with a mild detergent and a damp cloth. Batteries should be charged after each use or when the battery condition meter shows a low charge. Once the battery charger reads 0 amps, the batteries are recharged. This should take approximately 8 hours if the batteries are completely discharged.

MAINTENANCE

Periodically remove batteries from machine. Clean the batteries and battery tray with a solution of baking soda and water. Check all battery cables and wiring for signs of damage and wear. Replace as needed. Grease front wheel and rear caster zerks once a month for best operation.

FLOOR SEAL STRIP

When the floor seal strip show signs of excessive wear, seal should be replaced. The strip can be removed by loosening the screw on the retainer strap until the seal can slide off of the pad shroud housing. To install new seal, slip the retainer strap over the new seal strip and pad shroud. Make sure the seal is seated equally around the perimeter and the holes on the floor seal are oriented towards the back portion of the shroud.

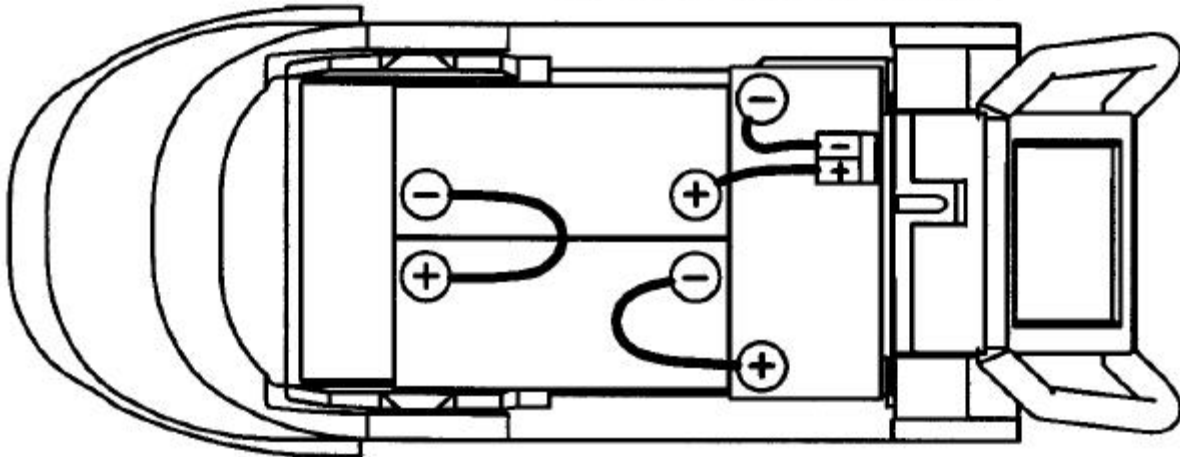
BATTERY SERVICE AND INSTALLATION

WARNING: Battery acid can cause burns. When working on or around batteries, wear protective clothing and safety glasses. Remove metal jewelry. Do not lay tools or metal objects on top of batteries.

CHARGING OF BATTERIES

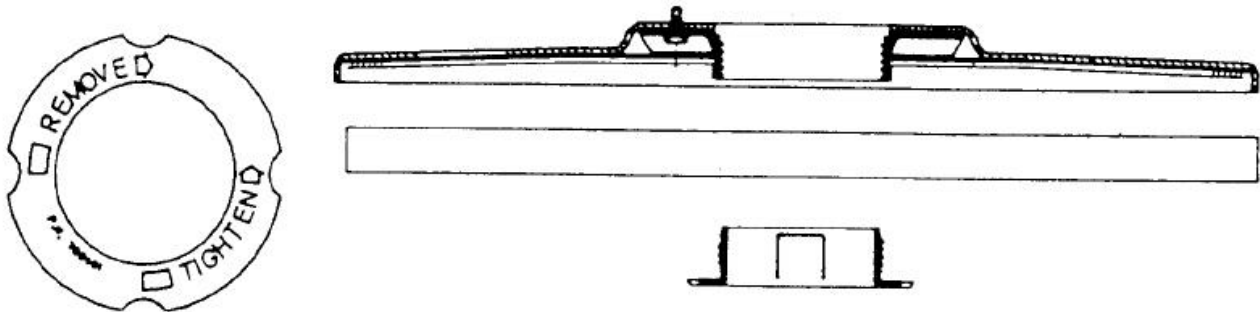
Charging batteries generates explosive gasses. **DO NOT CHARGE BATTERIES WHEN OPEN FLAMES OR SPARKS ARE PRESENT. DO NOT SMOKE.** Make sure the charger is turned off before disconnecting it from the batteries. Charge the batteries in a well-ventilated area with battery cover removed completely. Fluid levels should be checked before and after charging and maintained at the proper levels. If the burnisher is not used for extended periods of time, batteries should be kept fully charged with a boost charge once a week.

BATTERY CABLE ROUTING



PAD INSTALLATION

The red emergency disconnect button and the key switch must be in the OFF position before installation and the pad driver assembly in the RAISED position. Remove center cup locking device by gripping on outer edges and turning clockwise. NOTE: Center cup cannot be pulled out; it must be unscrewed. After removing used pad, place new pad on pad driver assembly using outer flange of pad driver to center the pad. Push centering locking cup through the pad and into the pad driver assembly. The ratchet teeth on the center cup will engage into the pad driver assembly and should be pushed in as far as possible. If further tightening is needed, rotate the center-locking cup counter-clockwise.



PAD PRESSURE ADJUSTMENTS

The pad pressure adjust knob is located on the top of the control console. Counter-clockwise rotation increases pad pressure, the opposite rotation decreases. Different floors, conditions, and pads produce carrying pad load conditions. Ideal burnishing conditions are maintained while the operating range meter remains in the Green Zone. If the meter reads in the Red Zone decrease the pad pressure. When the machine is operated in the Red Zone for a long period of time motor overload will occur and the 70-amp circuit breaker for the motor will trip. If the motor circuit trips:

1. Check pad condition.
2. Decrease pad pressure.
3. Reset circuit breaker.

CIRCUIT BREAKER PROTECTION

70 amp circuit breaker protects pad driver motor from excessive overload conditions. 30 amp circuit breaker protects control circuits against possible electrical shorts. If either circuit breaker trips, first determine the cause and correct the condition before resetting the breakers.

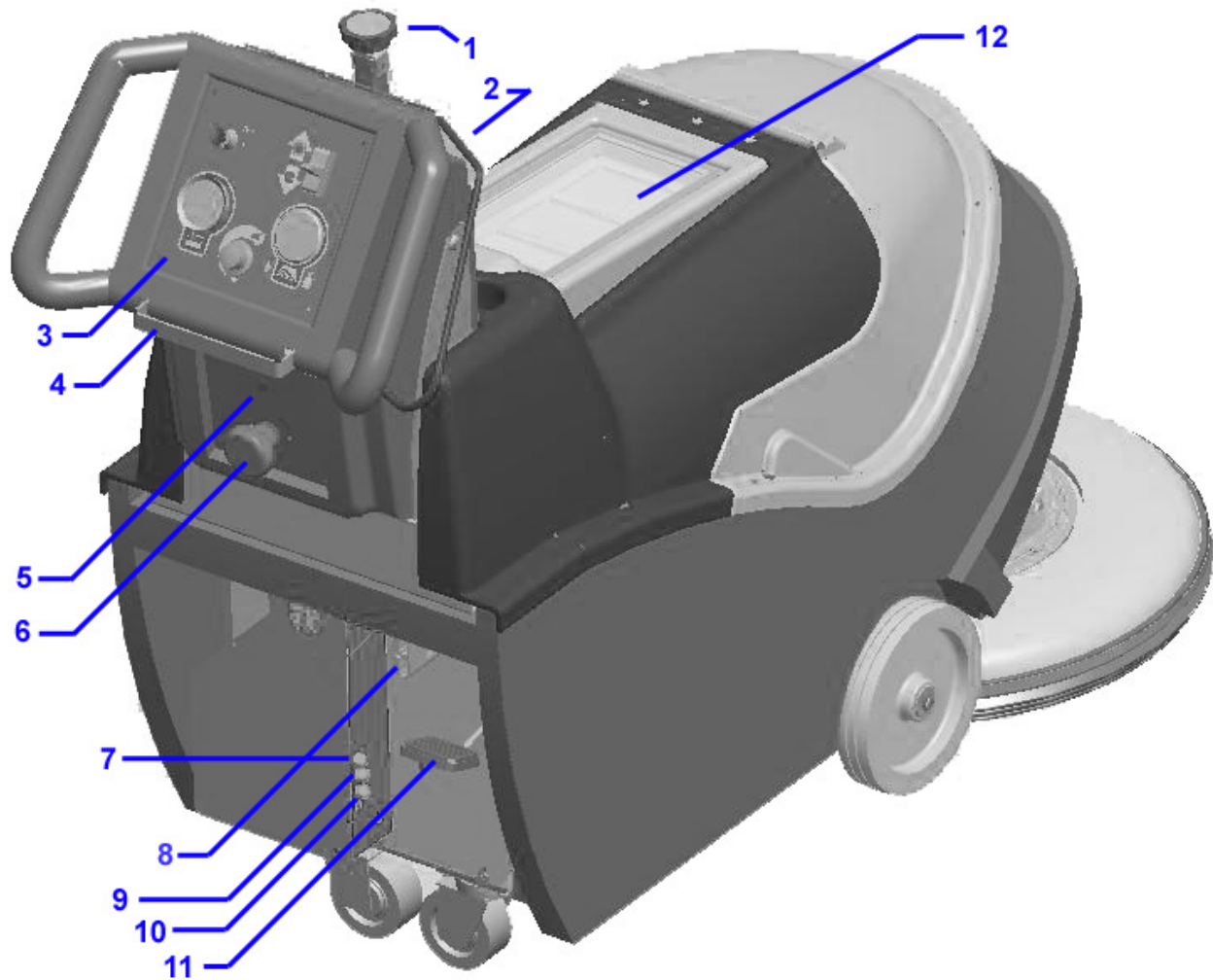
CARBON BRUSH REPLACEMENT

Design life of carbon brushes is between 1800-2000 hours. Replace brushes if worn to 3/8" or less, broken, or chipped. All carbon brushes should be replaced when motor is serviced. Four (4) are required, P/N 572003. Red indicator on control panel (above Emergency Disconnect Button, below the Dashboard) will glow when carbon brush service is required.

CARBON BRUSH SERVICE

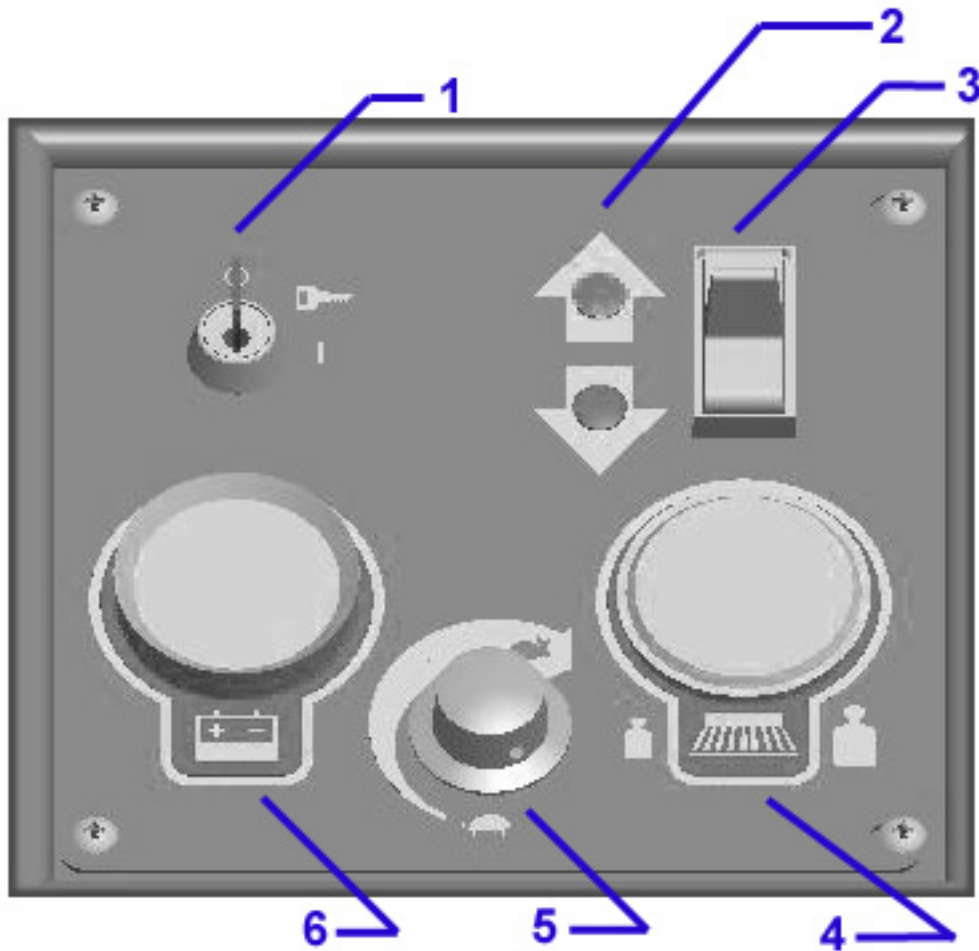
1. Disconnect batteries from machine.
2. Remove two screws that hold dust control housing and motor cover to motor.
3. Blow out top of motor with air line.
4. Loosen screw and remove carbon brush lead.
5. Slide brush spring off the back of carbon brush and remove brush.
6. Reverse order for installation of new carbon brushes.

MACHINE OVERVIEW



1	PAD PRESSURE ADJUSTMENT KNOB
2	BAIL LEVER
3	DASHBOARD CONTROL PANEL
4	EMERGENCY BELLY BAR STOP
5	CARBON BRUSH INDICATOR
6	EMERGENCY STOP BUTTON
7	CIRCUIT BREAKER, 70 AMP
8	POWER CONNECTOR
9	CIRCUIT BREAKER, 3 AMP
10	CIRCUIT BREAKER, 18 AMP
11	FOOT PEDAL
12	DUST BAG

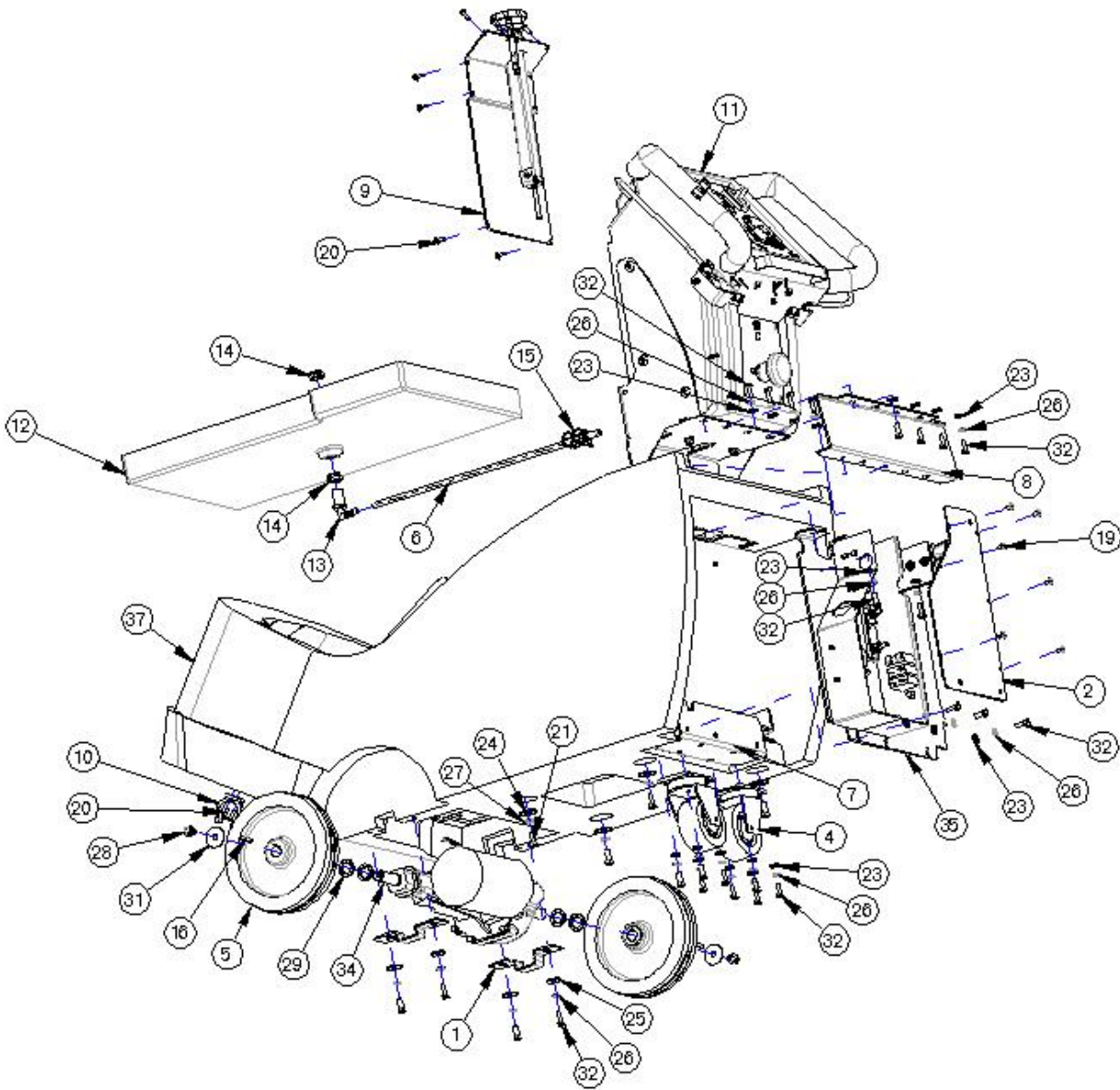
DASHBOARD CONTROL PANEL



1	ON / OFF KEY SWITCH
2	TRACTION DRIVE DIRECTION INDICATOR
3	TRACTION DRIVE DIRECTIONAL SWITCH
4	PAD PRESSURE GAUGE
5	TRACTION DRIVE SPEED CONTROL
6	BATTERY GAUGE

EXPLODED VIEWS

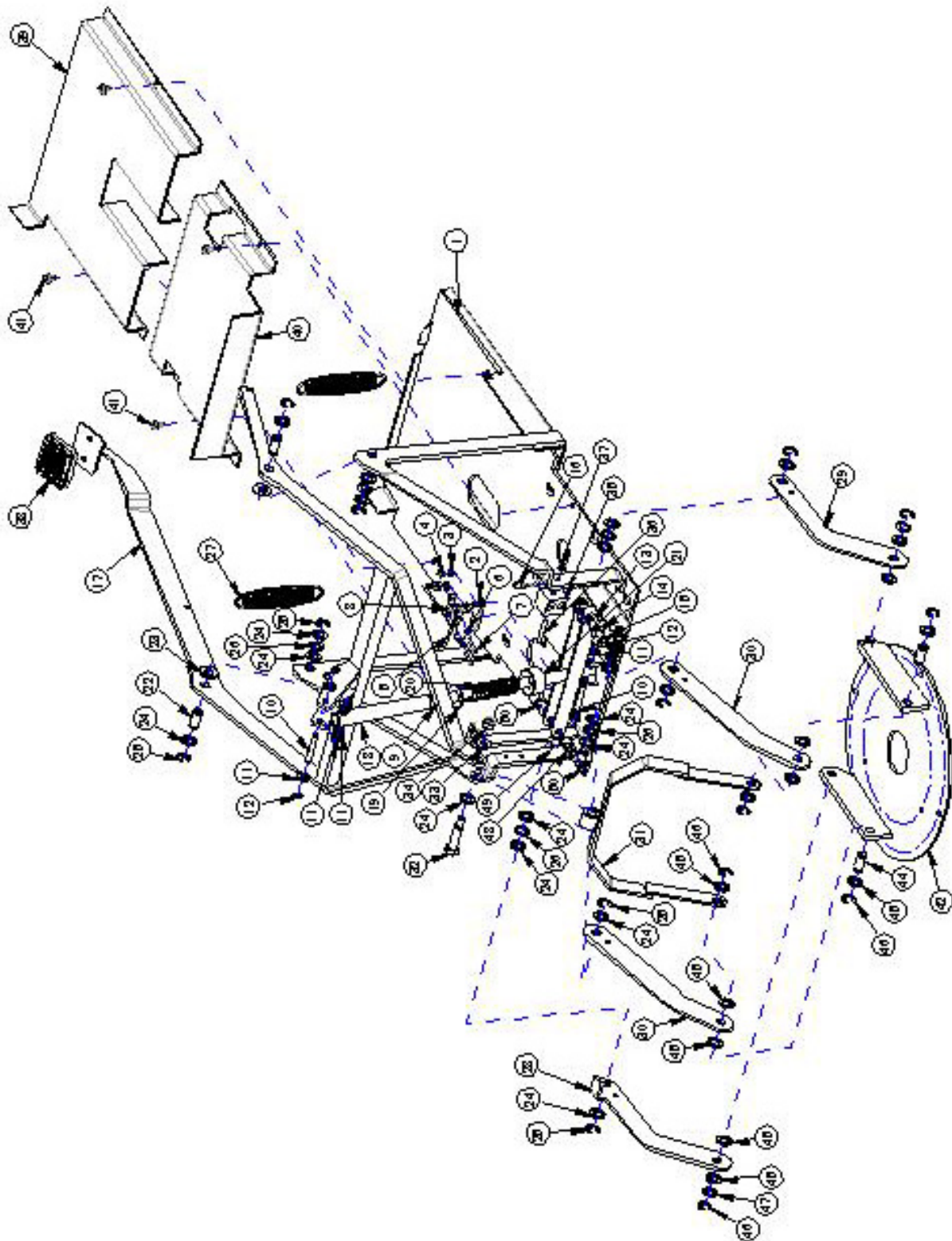
BASE ASSEMBLY



BASE ASSEMBLY BOM

ITEM #	PART #	QTY	DESCRIPTION
1	200126	2	MOUNT, TRANSAXLE
2	200154	1	PANEL COVER WELDMENT
3	200340	1	SPACER, SCR BOARD
4	200345	2	CASTER, 3-1/2 POLYURETHANE
5	210141	2	WHEEL 8 X 1.5 X .75 BORE
6	260224	1	18" HOSE
7	260536	1	BASE PLATE WELDMENT
8	260541	1	REAR HANDLE BRKT
9	260549	1	PRESSURE ADJ ASSEMBLY
10	260579	1	TOOL CLIP, 1.5" HOSE
11	260583	1	CONSOLE ASSEMBLY
12	260604	1	BATTERY BOX
13	320271	1	NOZZLE BODY-ELBOW
14	320272	2	NOZZLE BODY LOCKNUT
15	320273	1	HOSE SHUT-OFF CLAMP
16	361233	2	KEY, 3/16 SQ. X 1.50"
17	710180	2	SCR-MC TR HD 1/4-20x.75 STL ZINC
18	710534	1	SCR-MC 8-32 X 1" ST PL - PH
19	711124	6	PAN HEAD ST #10 X .37 NI
20	711160	11	#10 X 5/8 HI-LO
21	711228	4	BLT-HH 5/16-18 X .75 ST PL
22	711372	1	NUT-NYLOC 8-32 STL ZINC
23	711505	23	WSR-FLAT 1/4
24	711507	4	WSR-FLAT .37 X 1.12 X .06
25	711519	10	WSR- FLAT .25 X 1.01 X .06
26	711544	27	WSR-HELICAL 1/4
27	711545	4	WSR-HELICAL 5/16
28	712042	2	BLT-WSR HH 5/16-18 X .62
29	712318	4	WSR- FLAT.75 X 1.12 X .12 PL
30	712565	6	SCR-MC 1/4-20X.63 SS TR HD
31	712759	2	WSR- FLT .31 X 1.37 X .06 SS
32	713002	27	BLT-HH 1/4-20 UNC-2A X 3/4 STL#5
33	740803-1	1	SPEED CONTROL 36V 1203A-304
34	743800	1	TRANSAXLE 36V
35	743831	1	BURN ELECTRICAL ASSY
36	805637	1	SCR INSULATOR
37	200102MCH	1	BASE MACHINED

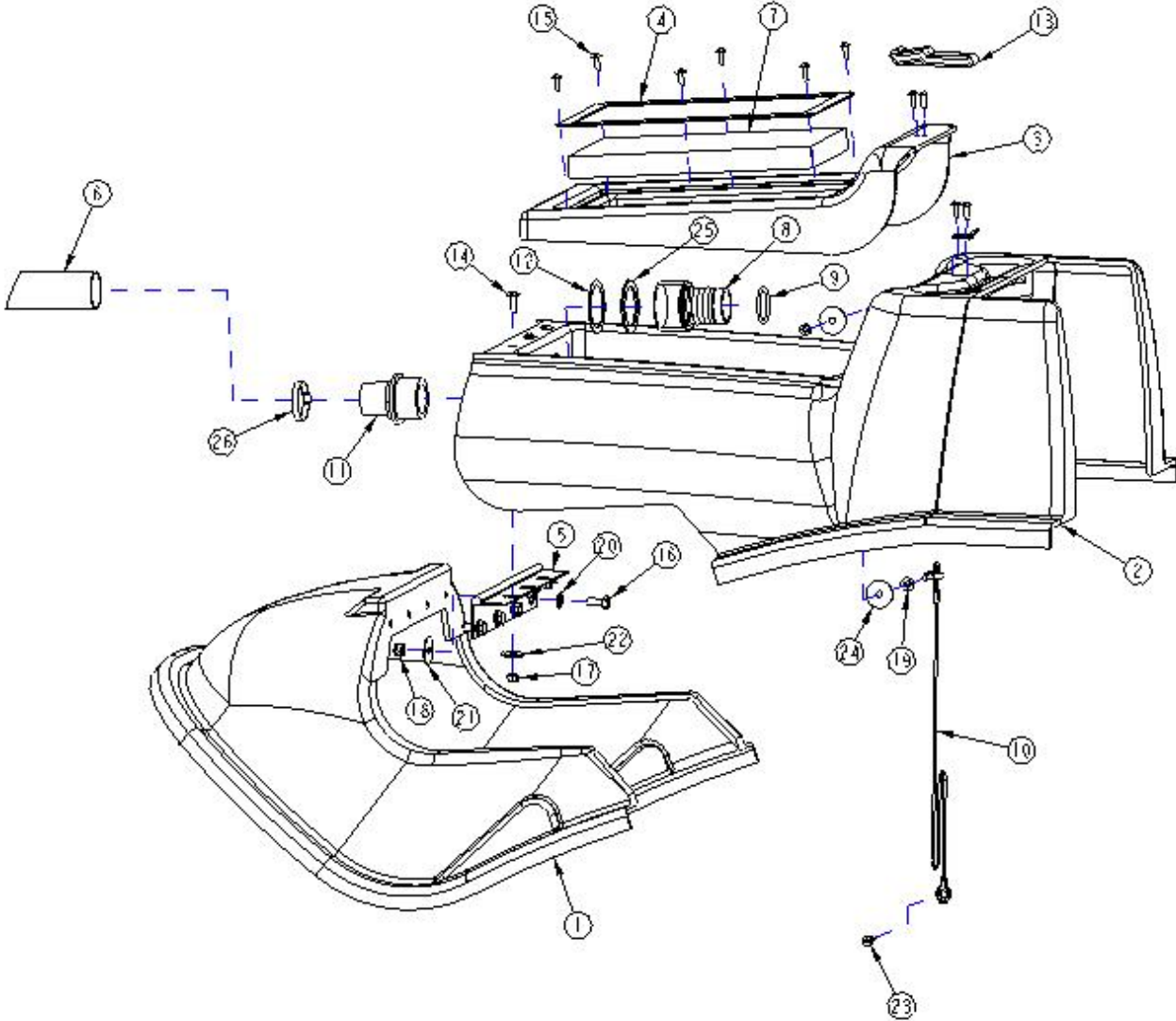
MAINFRAME ASSEMBLY



MAINFRAME ASSEMBLY BOM

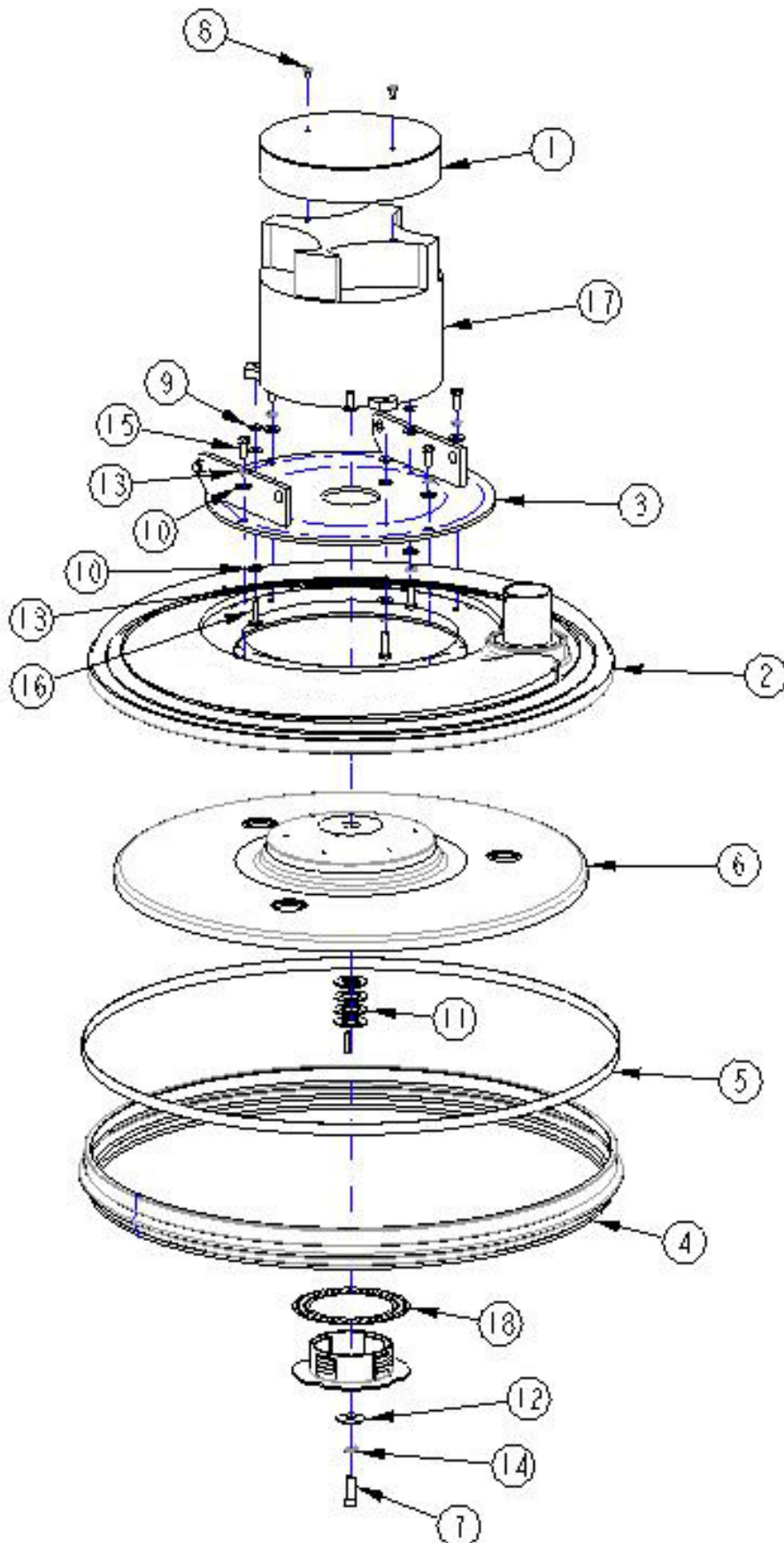
ITEM #	PART #	QTY	DESCRIPTION	ITEM #	PART #	QTY	DESCRIPTION
1	260536	1	BASE PLATE WELDMENT	26	711524	6	WSR-WAVE .52 X .87 X .01
2	260577-1	1	SWITCH INTERLOCK BRACKET	27	260211	2	HOBBY SPRING
3	711503	2	WSR, FLAT#10	28	260576	1	LINK
4	711350	2	NUT NYLOC 10-32	29	260528	1	LINK
5	740830	1	SWITCH SPST NC CONTACT	30	260529	2	TRAILING LINK
6	711501	2	WSR-FLAT # 6	31	260513	1	MOTOR LIFT WELDMENT
7	710307	2	SCR-MC 6-32 X 1.0 ST PL PAN HD	32	712102	1	BLT- SHLDR 1/2 X 1-1/2
8	711430	1	NUT-TINNERMAN TWIN 6-32	33	712301	1	WSR-FLAT .87 X .38 X .06
9	260522	1	SPRING GUIDE	34	711380	1	NUT-NYLOC 3/8-16 NUT
10	670605	2	ROLLER PIN	35	743598	1	TERMINAL BLOCK, 2 POS
11	711506	8	WSR-FLT .344 X .690 X .062 STL ZINC	36	710036	1	SCR-MC 8-32 X 1.50 ST PL
12	711721	4	RET RING-E TYPE .312	37	711372	1	NUT-NYLOC 8-32 STL ZINC
13	260524	2	ADJUSTMENT LINK	38	210142	1	PEDAL PAD
14	711515	2	WSR-FLAT .406 X .812 X .0625	39	260586	1	SUPPORT, BATTERY LOWER
15	831965	1	3/8 x 1.63" CLEVIS PIN	40	260587	1	SUPPORT, BATTERY UPPER
16	711808	1	COTTER PIN-HAIR #13	41	712139	4	SCR-TR 1/4-20X 1.00 HWH
17	260511	1	UPPER WMT	42	260615	1	MOTOR PLATE WELDMENT - NEW
18	260521	1	GUIDE TUBE	43	000708	1	RTV SILICONE 10 OZ TUBE
19	711511	1	WSR-FLAT .62 X 1.31 X .09	44	260519	2	PIVOT PIN
20	762339	1	SPRING COMPRESSION	45	712310	12	WSR- FLAT .52 X .87 X .06 PL
21	260523	1	SPRING SPACER 1.50 X .632 X .84	46	711713	6	RETAINING RING - "E" TYPE EXT .500
22	260519	2	PIVOT PIN	47	711524	2	WSR-WAVE .52 X .87 X .01
23	711592	2	WSR NYLON .5 X 1.06 X .06	48	260525	1	ADJUSTMENT NUT
24	712310	19	WSR- FLAT .52 X .87 X .06 PL	49	712905	1	NUT-HEX 10-24 NIPL
25	711713	8	RETAINING RING - "E" TYPE EXT .500	50	711717	2	RETAINING RING- E TYPE .37

HOUSING ASSEMBLY



HOUSING ASSEMBLY BOM			
ITEM #	PART #	QTY	DESCRIPTION
1	260501	1	FIXED TOP COVER
2	260502	1	MOVING TOP COVER
3	260503	1	BAG COVER
4	260504	1	FILTER COVER WELDMENT
5	260560	1	HINGE 9.75"
6	260590	1	HOSE ASSY DUST CONTROL
7	260592	1	EXHAUST FILTER DUST CONTROL
8	260596	1	INSERT FITTING, 1-1/2"PVC, FPT
9	310008	1	O RING BUNA 2201510561
10	320246	1	TANK CABLE
11	450037	1	ADAPTER MACHINED
12	450081	1	WSR-SS 1.908 x 2.41 x .03
13	450207	1	LATCH, SOFT #C7-10
14	710180	3	SCR-MC TR HD 1/4-20x.75 STL ZINC
15	711160	10	#10 X 5/8 HI-LO
16	711228	4	BLT-HH 5/16-18 X .75 ST PL
17	711373	4	NUT-NYLOC 1/4-20
18	711374	4	NUT-NYLOC 5/16-18
19	711425	1	NUT, HEX 1/4-20 WIZNUT
20	711506	4	WSR-FLT .344 X .690 X .062 STL ZINC
21	711516	4	WSR- FLAT .31 X 1.25 X .05
22	711519	3	WSR- FLAT .25 X 1.01 X .06
23	712041	1	BLT- SHLDR 1/4-20 X .44 X .37
24	712761	2	WSR-FLAT .28 X 1.25 X .059SS
25	828970	1	WSR-NEOP 1.87 X 2.4 X .125
26	831001	1	CRIMP CLAMP, 440R

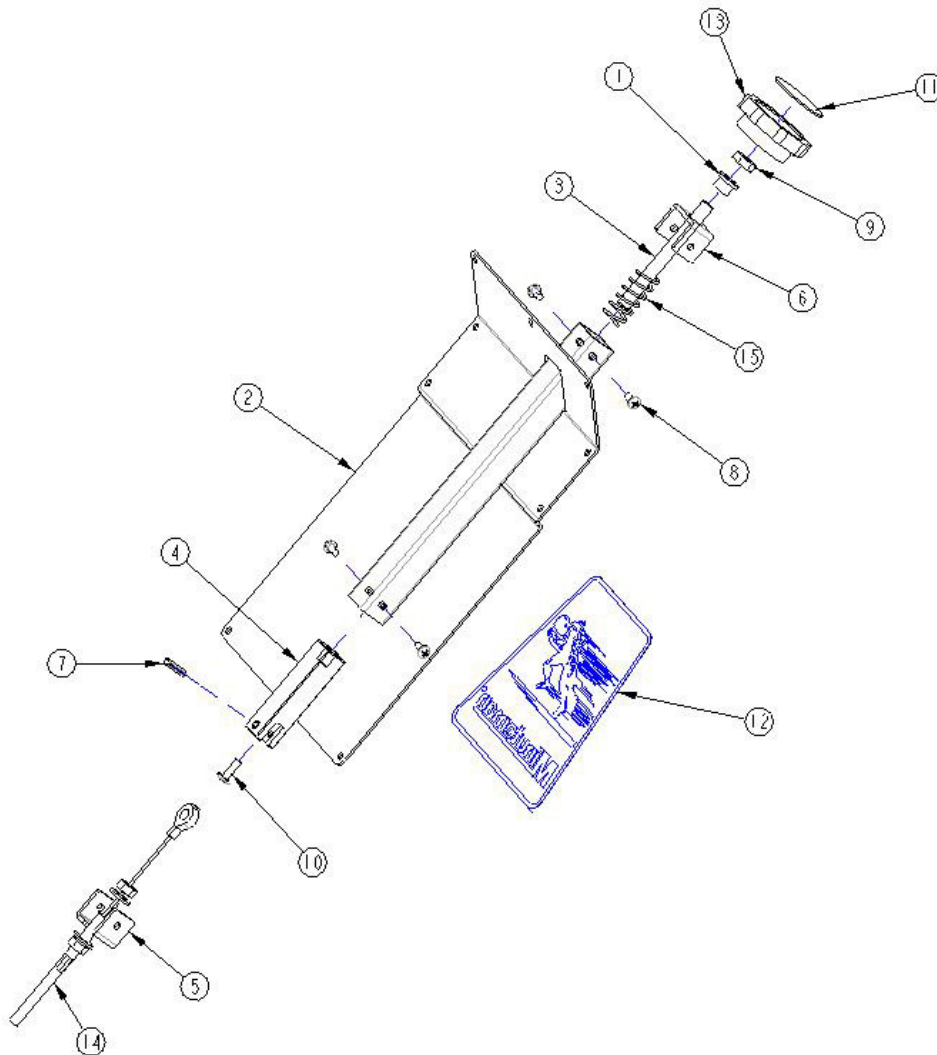
PAD DRIVER ASSEMBLY



PAD DRIVER ASSEMBLY BOM

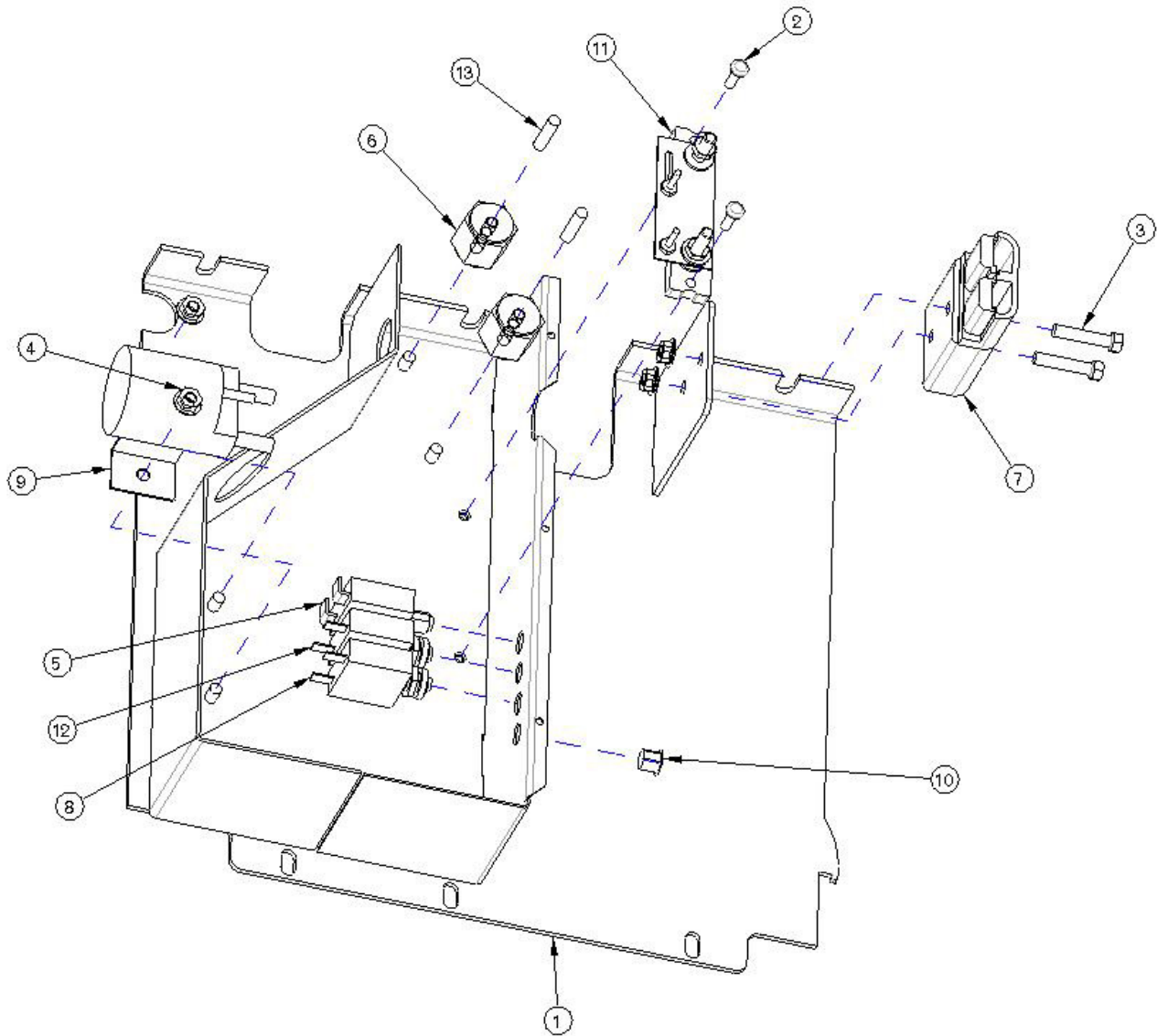
ITEM #	PART #	QTY	DESCRIPTION
1	260573	1	MOTOR GRILL ASSY
2	260611	1	PAD DRIVER SHROUD - 20"
3	260615	1	MOTOR PLATE WELDMENT - NEW
4	260616	1	DUST SKIRT - NEW
5	260617	1	CLAMP BAND ASSY FOR 20" HS
6	670075	1	PAD DRIVER ASSY
7	710857	1	SCR-SC 5/16-24 X 1.00
8	711124	2	PAN HEAD ST #10 X .37 NI
9	711504	6	WSR-FLAT 1/4 ID SS
10	711505	7	WSR-FLAT 1/4
11	711512	4	WSR-FLAT .75X1.37X.08
12	711516	1	WSR- FLAT .31 X 1.25 X .05
13	711544	7	WSR-HELICAL 1/4
14	711545	1	WSR-HELICAL 5/16
15	713002	4	BLT-HH 1/4-20 UNC-2A X 3/4 STL#5
16	713003	3	BLT-HH 1/4-20 X 1 #5
17	742461-2	1	MOTOR 66 FRAME 36V HI SPD
18	260581MCH	1	GRABBER RING, MACHINED

PRESSURE CONTROL ASSEMBLY



PRESSURE CONTROL ASSEMBLY BOM			
ITEM #	PART #	QTY	DESCRIPTION
1	260066	1	OILITE BUSHING
2	260547	1	PRESS ADJ MOUNT WELD
3	260554	1	PRESS ADJ SCREW
4	260557	1	PRESS ADJ SLIDE
5	260562	1	PRESS ADJ RET BRKT
6	260563	1	PRESS ADJ RET BRKT
7	260564	1	ROLL PIN 3/16"X3/4"
8	710353	4	SCR-MC 10-32 X .37 ST
9	711391	1	NUT-HEX JAM 3/8-16 ST
10	712536	1	SCR-MC 10-24 X .62 TH
11	715038	1	DECAL, PAD PRESSURE
12	715634	1	DECAL, MINUTEMAN ID
13	760034	1	KNOB, ADJ (SET SCREW)
14	762253	1	CABLE, ASSY PRESSURE
15	833102	1	SPRING, .62 X .75 X 1

ELECTIRCAL ASSEMBLY

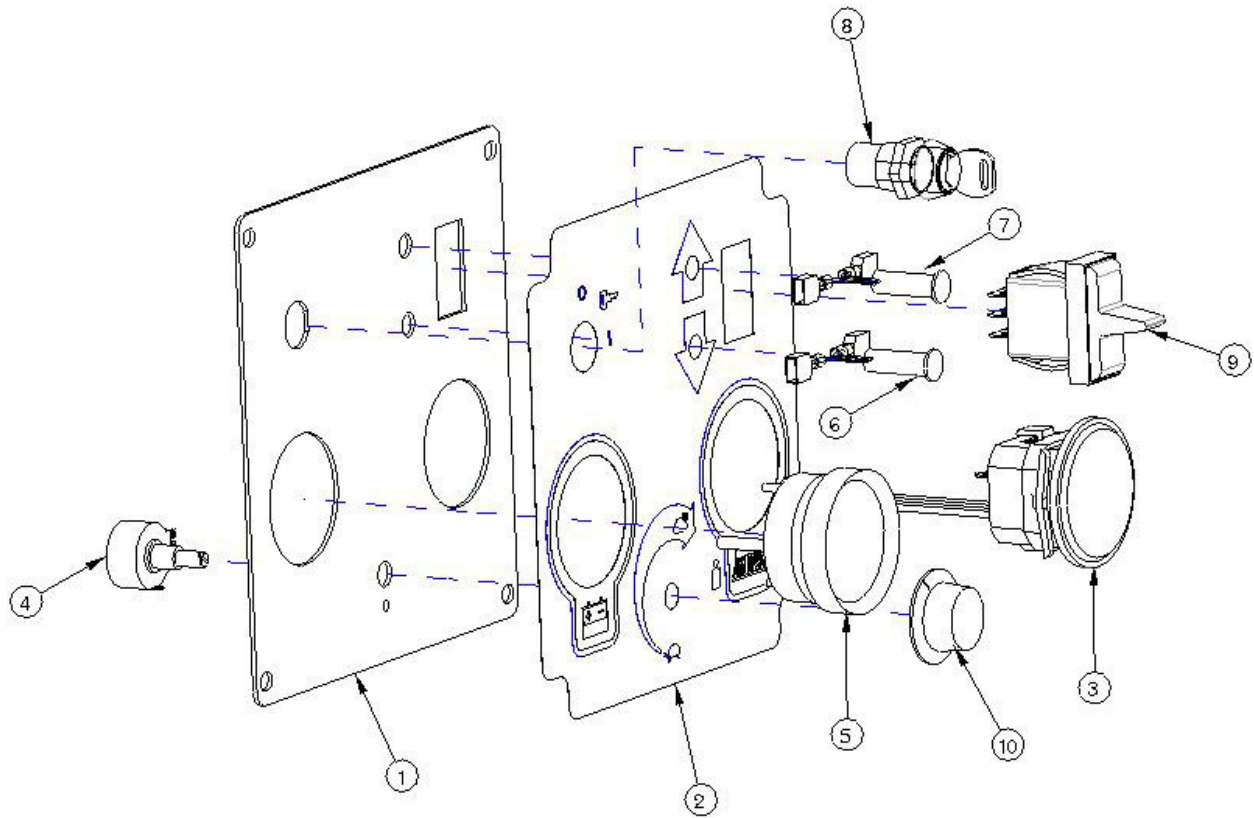


ELECTRICAL ASSEMBLY BOM			
ITEM #	PART #	QTY	DESCRIPTION
1	260542	1	BACK PANEL WELDMENT
2	710356	2	SCR-MC 10-32X.62 STPL
3	711210	2	BLT-HH 1/4-20 X 1.25 STPL
4	711425	4	NUT, HEX 1/4-20 WIZNUT
5	740131	1	CIRCUIT BREAKER - 70AMP
6	740132	2	INSULATOR, GLASTIC
7	740147	1	CB 175 GRAY HOUSING
8	740238	1	CIRCUIT BREAKER - 3A
9	740243	1	CONTACTOR 36V 124-117111
10	742749	1	HEYCO, HOLE PLUG
11	743464	1	SHUNT CALIBRATED ASSY
12	746006	1	CIRCUIT BREAKER - 3A
13	833638	2	BRASS STUD

CONSOLE ASSEMBLY BOM

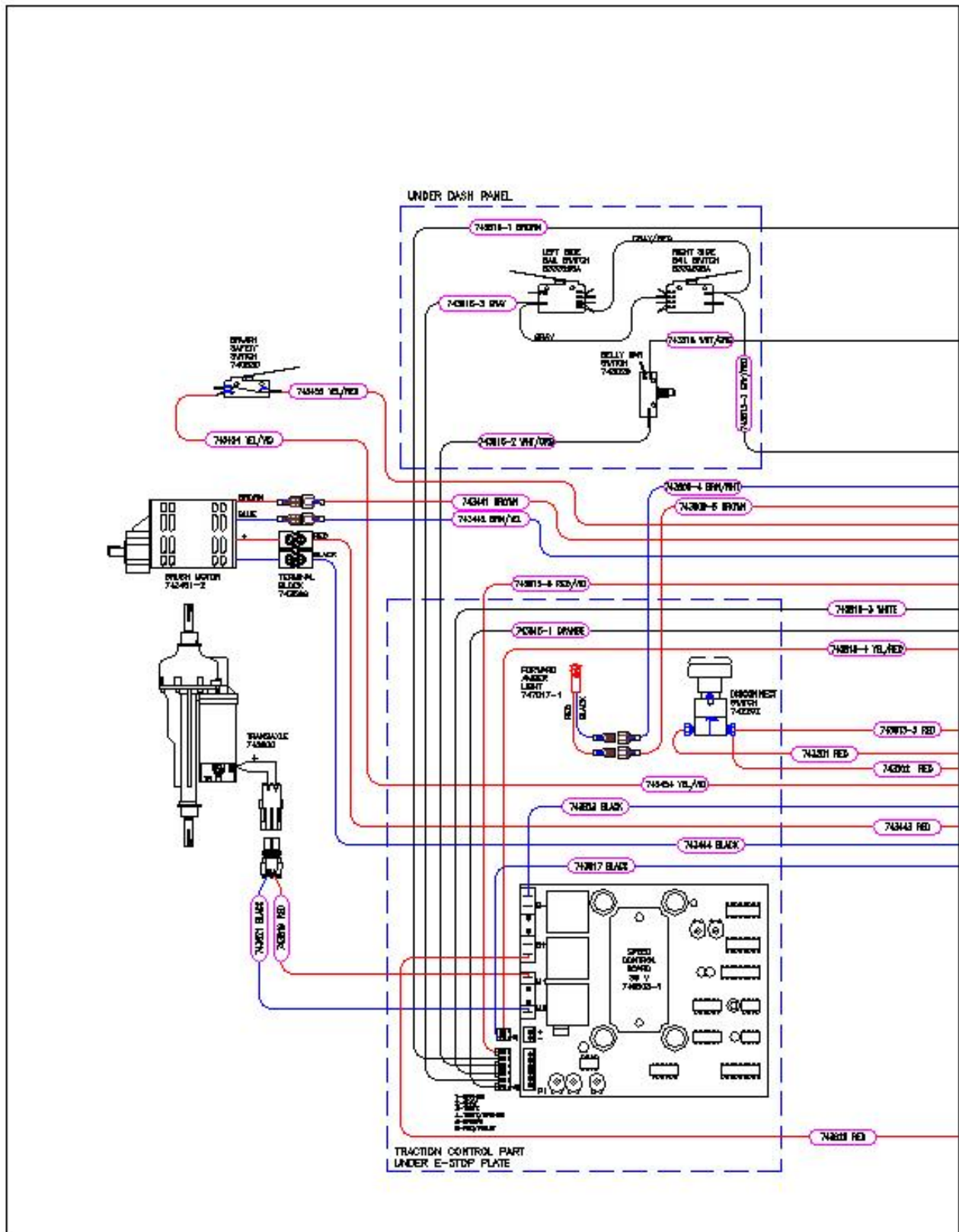
ITEM #	PART #	QTY	DESCRIPTION
1	200039	1	BAIL STOP RH
2	200040	1	BAIL STOP LH
3	200184	1	SWITCH BRACKET WELDMENT
4	200338	2	CAM WELDMENT
5	200340	1	SPACER, SCR BOARD
6	220324	2	SPRING
7	260538	1	FRONT BRKT HANDLE WELDMT
8	260584	1	DASHBOARD ASSEMBLY
9	670093	1	SPRING, COMPRESSION
10	710180	2	SCR-MC TR HD 1/4-20x.75 STL ZINC
11	710195	6	SCR- MC 5/16-18 X .50
12	710207	6	SCR-MC PAN HD 6-32 x.87 STL ZINC
13	710534	1	SCR-MC 8-32 X 1" ST PL - PH
14	711004	2	SK-CUP PT 1/4-20 X .25 STL BLACK
15	711160	8	#10 X 5/8 HI-LO
16	711372	1	NUT-NYLOC 8-32 STL ZINC
17	711425	1	NUT, HEX 1/4-20 WIZNUT
18	711430	3	NUT-TINNERMAN TWIN 6-32
19	711505	2	WSR-FLAT 1/4
20	711544	2	WSR-HELICAL 1/4
21	711721	6	RET RING-E TYPE .312
22	712540	8	SCR-MC TR HD 10-24 X .37 SS
23	712569	1	SCR-MC TR HD 1/4-20 X 1.50 SS
24	713002	2	BLT-HH 1/4-20 UNC-2A X 3/4 STL#5
25	740803-1	1	SPEED CONTROL 36V 1203A-304
26	742202	1	EMERGENCY STOP SWITCH
27	742472	1	SWITCH
28	747016-1	1	LED ASSY7 RED
29	805637	1	SCR INSULATOR
30	829052	4	BUSHING FLANGED NYLON .312 ID
31	200104MCH	1	HANDLE CONSOLE 200
32	200181CTD	2	HANDLE WIRE COATED
33	200190CTD	1	LEVER, SWITCH
34	260589SP	1	PANEL, SCREEN PRINTED
35	833329SA	2	SWITCH, DPDT STAGGERED ACTION

DASHBOARD ASSEMBLY



DASHBOARD ASSEMBLY BOM			
ITEM #	PART #	QTY	DESCRIPTION
1	260506	1	PLATE, DASHBOARD
2	715440	1	DECAL, DASHBOARD
3	740135	1	METER, 100A DC (PRESSURE)
4	740946	1	POTENTIOMETER 5K
5	746102-1	1	GAUGE, BATTERY / HOUR METER
6	747016-1	1	LED ASSY RED
7	747017-1	1	LED ASSY AMBER
8	747024	1	KEYSWITCH, SPST ES2832 SOLD
9	748000	1	SWITCH, PADDLE ON/NONE/ON
10	809874	1	KNOB, SPEED CONTROL

SCHEMATIC DIAGRAMS



LIMITED WARRANTY

Minuteman International, Inc. warrants to the original purchaser/user that this product is free from defects in workmanship and materials under normal use and service for a period of three years from date of purchase. In addition, Minuteman International, Inc. will, at its option, honor labor warranty claims for the first 12 months from date of sale, provided such claims are submitted through and approved by factory authorized repair stations. Minuteman International, Inc. will, at its option, repair or replace without charge, except for transportation costs, parts that fail under normal use and service when operated and maintained in accordance with the applicable operation and instruction manuals.

This warranty does not apply to normal wear, or to items whose life is dependent on their use and care, such as belts, cords, switches, hoses, rubber parts, electrical motor components or adjustments. Parts not manufactured by Minuteman International, Inc. such as engines, batteries, battery chargers, hydraulic pumps, and tires are covered by and subject to the warranties and/or guarantees of their manufacturers. Please contact Minuteman International, Inc. for procedures in warranty claims against these manufacturers.

Special warning to purchaser -- Use of replacement filters and/or prefilters not manufactured by Minuteman International, Inc. or its designated licensees, will void all warranties expressed or implied.

A potential health hazard exists without exact original equipment replacement.

All warranted items become the sole property of Minuteman International, Inc. or its original manufacturer, whichever the case may be.

Minuteman International, Inc. disclaims any implied warranty, including the warranty of merchantability and the warranty of fitness for a particular purpose. Minuteman International, Inc. assumes no responsibility for any special, incidental or consequential damages.

This limited warranty is applicable only in the U.S.A. and Canada, and is extended only to the original user/purchaser of this product. Customers outside the U.S.A. and Canada should contact their local distributor for export warranty policies. Minuteman International, Inc. is not responsible for costs or repairs performed by persons other than those specifically authorized by Minuteman International, Inc. This warranty does not apply to damage from transportation, alterations by unauthorized persons, misuse or abuse of the equipment, use of non-compatible chemicals, or damage to property, or loss of income due to malfunctions of the product.

If a difficulty develops with this machine, you should contact the dealer from whom it was purchased.

This warranty gives you specific legal rights, and you may have other rights which vary from state to state. Some states do not allow the exclusion or limitation of special, incidental or consequential damages, or limitations on how long an implied warranty lasts, so the above exclusions and limitations may not apply to you.

Minuteman[®]

World Headquarters
Minuteman International, Inc.
111 South Rohlwing Road
Addison, Illinois 60101

Minuteman Canada, Inc.
2210 Drew Road
Mississauga, Ontario
L5S 1B1

11/04

(630) 627-6900
FAX (630) 627-1130

(905) 673-3222
FAX (905) 673-5161

Form 988172
Printed in U.S.A.